



1,2,3,4,5,6,7,8,12,14,17,
18,20,21,26,28,33,34

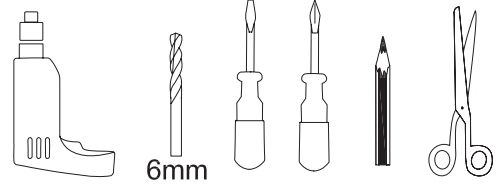
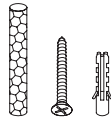
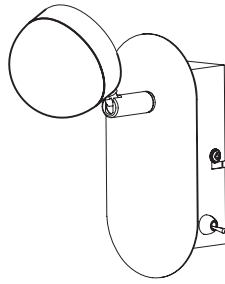


+49 (0) 5041 998 389

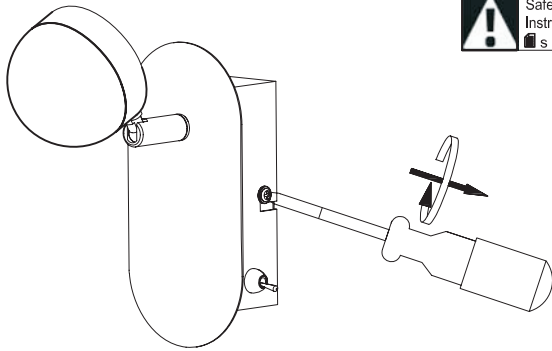
Mon.-Do.7⁰⁰ -20⁰⁰

Fr.7⁰⁰-17⁰⁰

Art.-Nr.:66630
(+MA 326) PHO 03/16

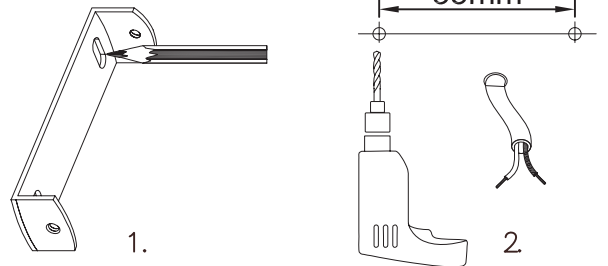


A



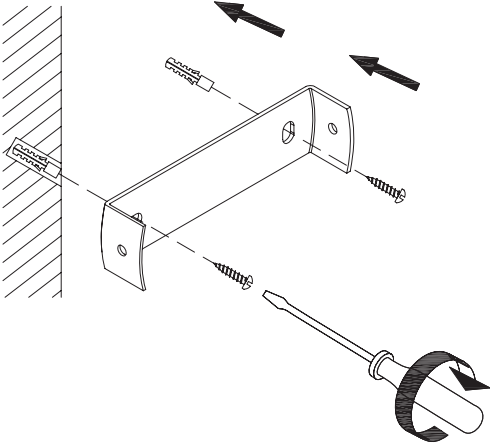
! Safety Instructions
s Nr. 5

B

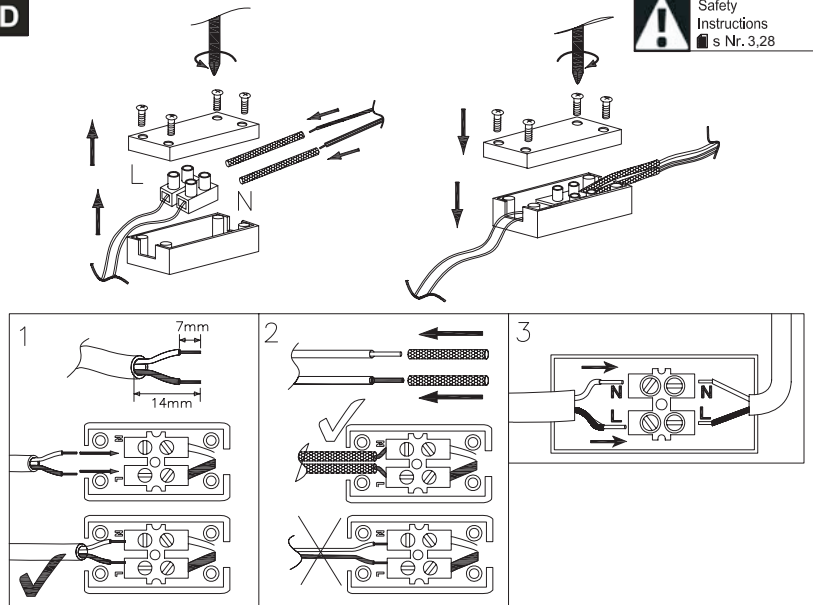


! Safety Instructions
s Nr. 2,5,7

C

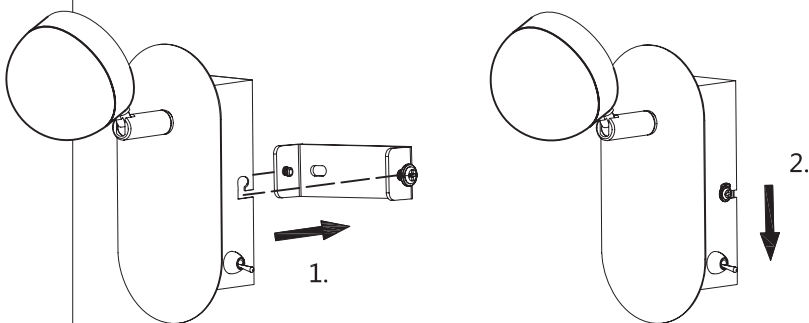


D



! Safety Instructions
s Nr. 3,28

E



F

